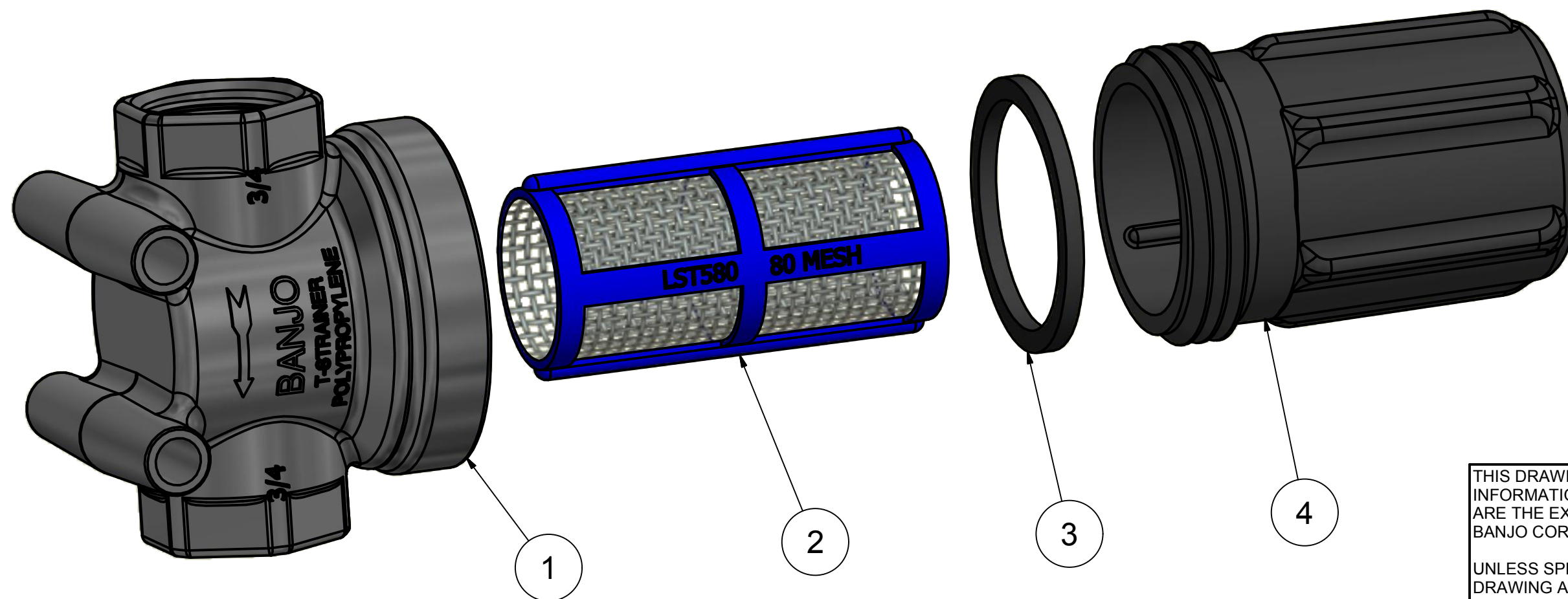
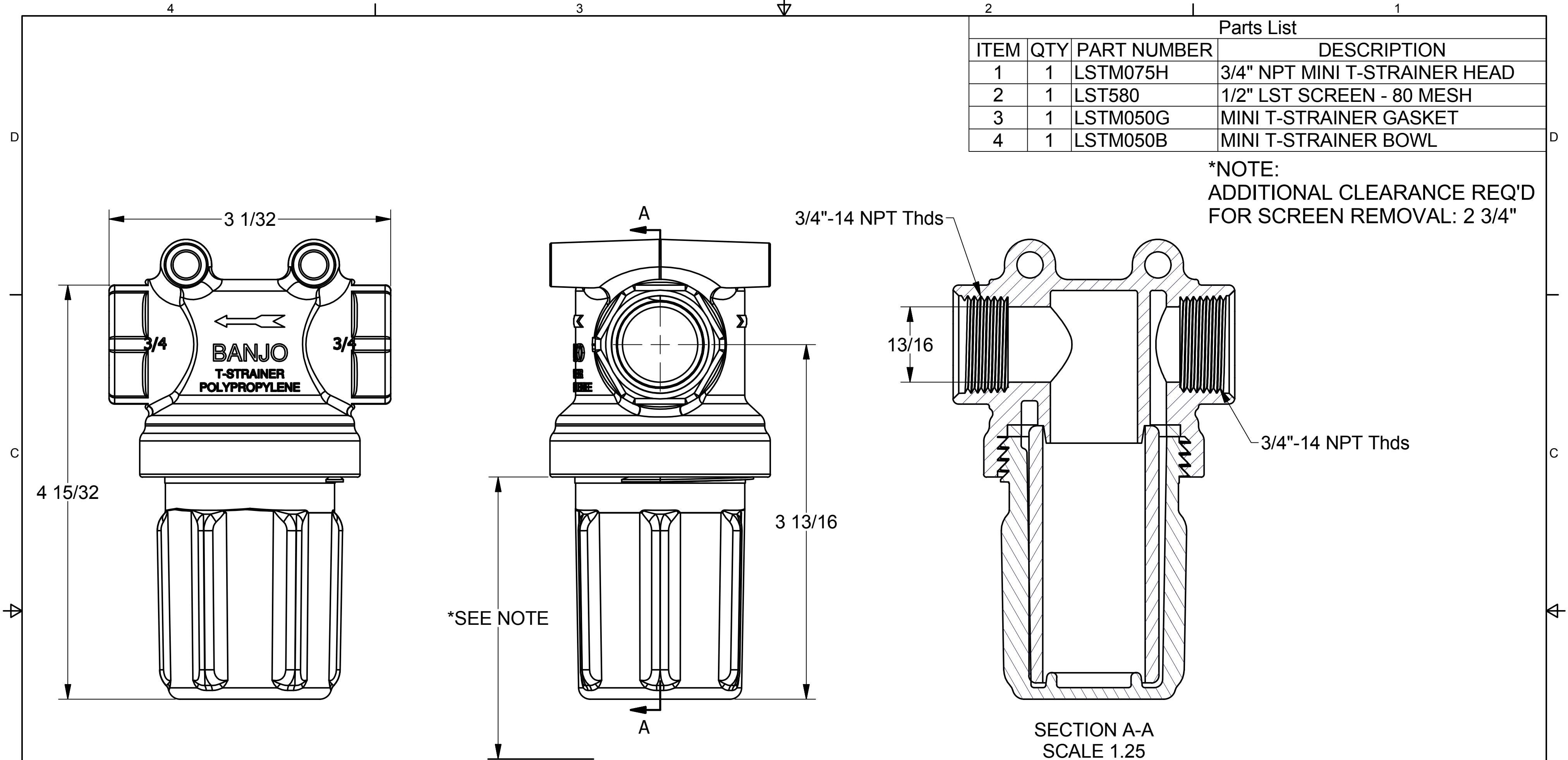



Parts List			
ITEM	QTY	PART NUMBER	DESCRIPTION
1	1	LSTM075H	3/4" NPT MINI T-STRAINER HEAD
2	1	LST580	1/2" LST SCREEN - 80 MESH
3	1	LSTM050G	MINI T-STRAINER GASKET
4	1	LSTM050B	MINI T-STRAINER BOWL

**\*NOTE:**  
ADDITIONAL CLEARANCE REQ'D  
FOR SCREEN REMOVAL: 2 3/4"



THIS DRAWING AND ALL INFORMATION CONTAINED THEREON ARE THE EXCLUSIVE PROPERTY OF BANJO CORPORATION.  
UNLESS SPECIFICALLY NOTED, THIS DRAWING AND ITEMS SHOWN ON THIS DRAWING ARE SUBJECT TO CHANGE AT ANY TIME.

	
<b>BANJO CORPORATION</b> 150 BANJO DRIVE, CRAWFORDSVILLE, IN 47933 WEB SITE: WWW.BANJOCORP.COM E-MAIL: BANJOSALES@IDEXCORP.COM	
DESCRIPTION	3/4" MINI T-STRAINER, 80 Mesh
PART NUMBER	LSTM075-80